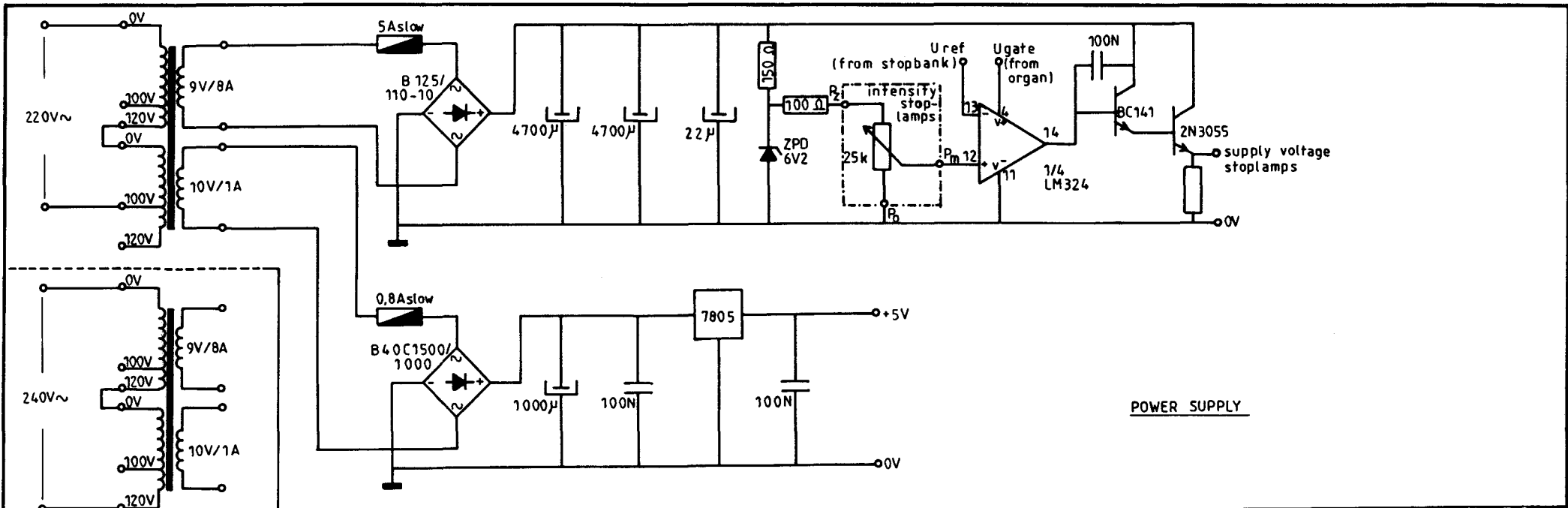
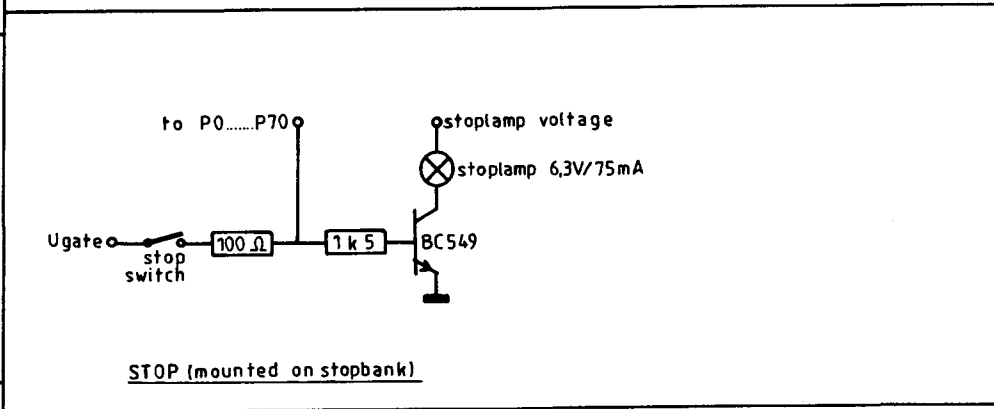
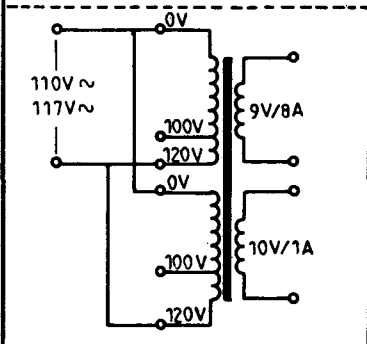
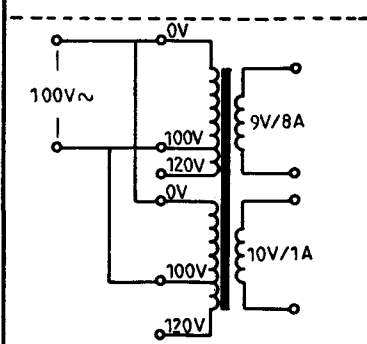
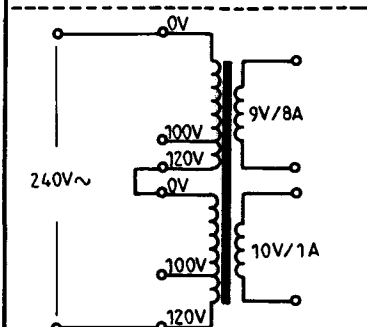


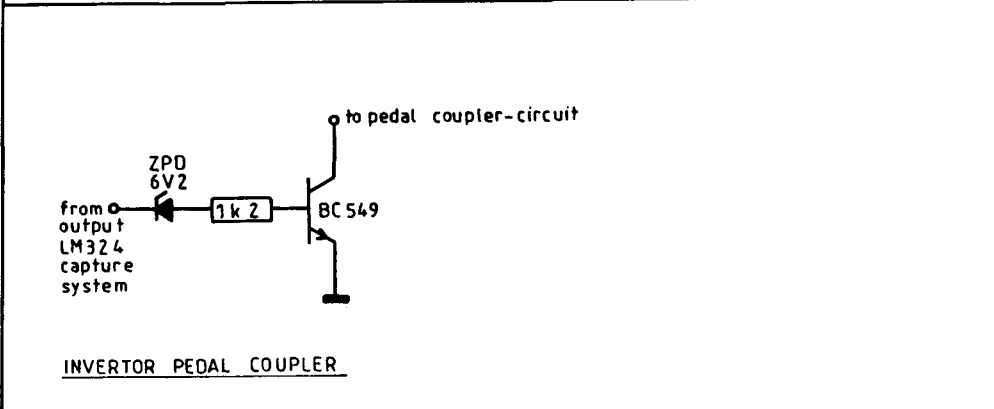
```
=====
S C H E M A T I C D I A G R A M S
J O H A N N U S
C A P T U R E S Y S T E M
D I G I T A L
=====
alterations reserved
```



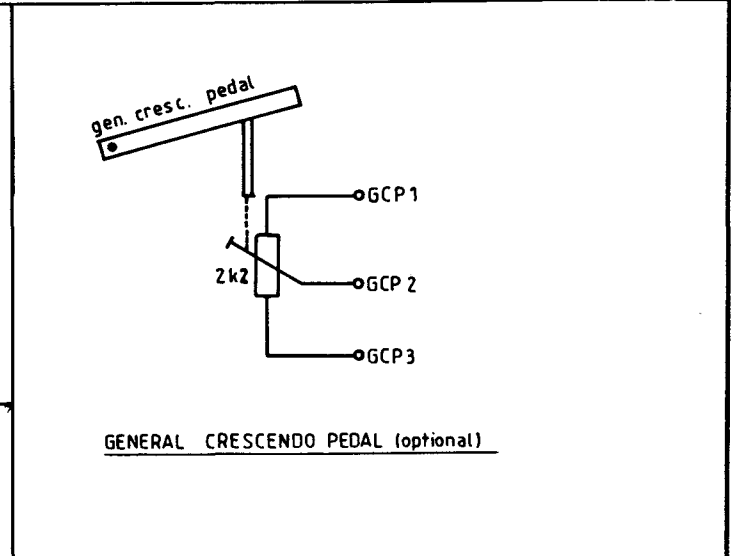
POWER SUPPLY



STOP (mounted on stopbank)



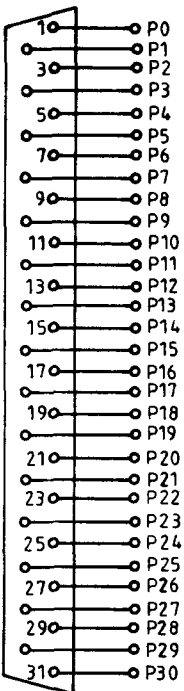
INVERTOR PEDAL COUPLER



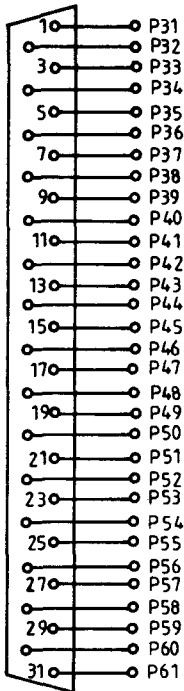
GENERAL CRESCENDO PEDAL (optional)

POWER SUPPLY, STOP, INVERTOR PEDAL		
COUPLER & GENERAL CRESCENDO PEDAL		
DESIGN:	R.B.	24-10-89
DRAWN:	Verschoor	16-11-87
MODIFIED:	Verschoor	22-11-89
copyright: JOHANNUS Orgelbouw b.v. Morsestraat 28 6716AH EDE HOLLAND Tel.08380-37403 Tlx. 37044 Jove NL Fax. 08380-22238		page III-2

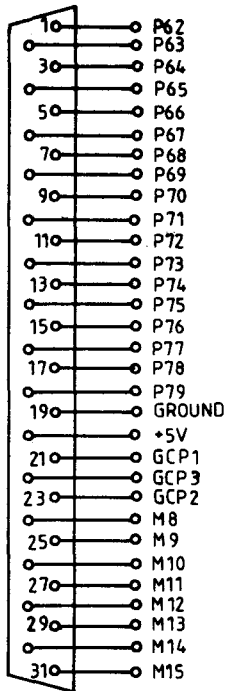
CONNECTOR 1



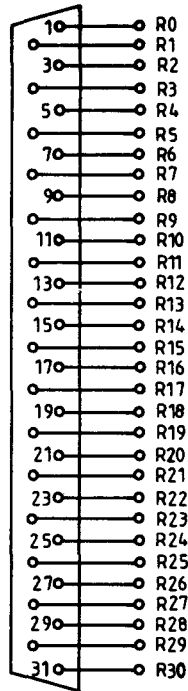
CONNECTOR 2



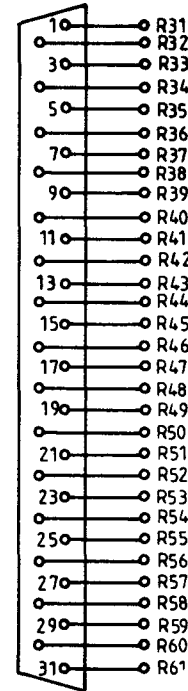
CONNECTOR 3



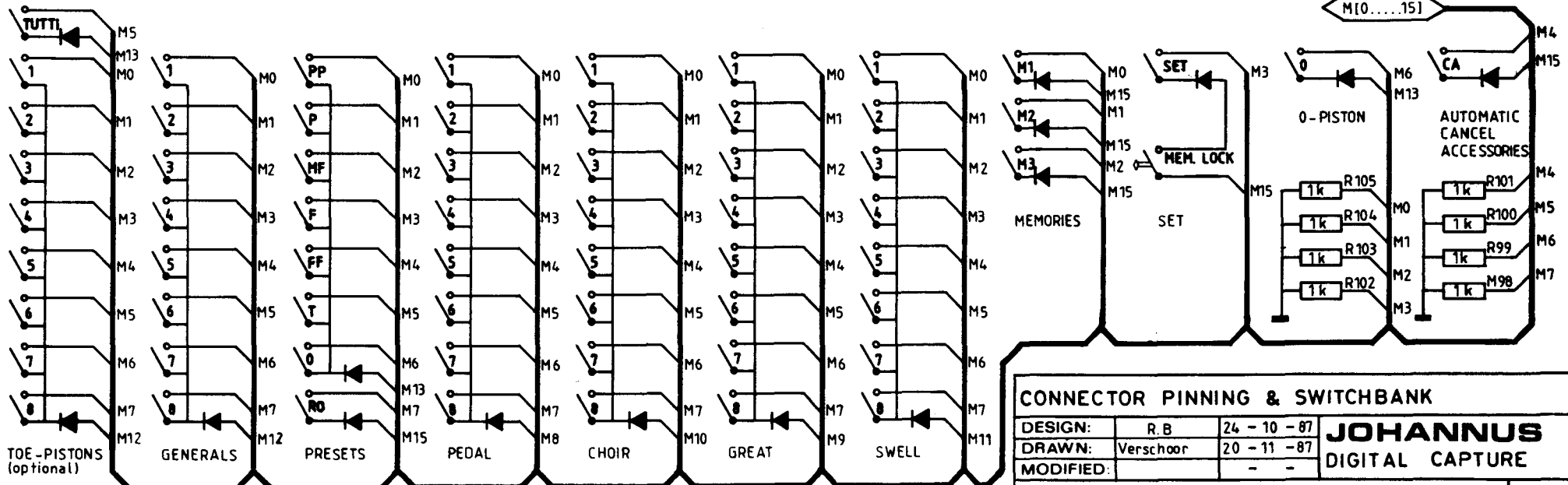
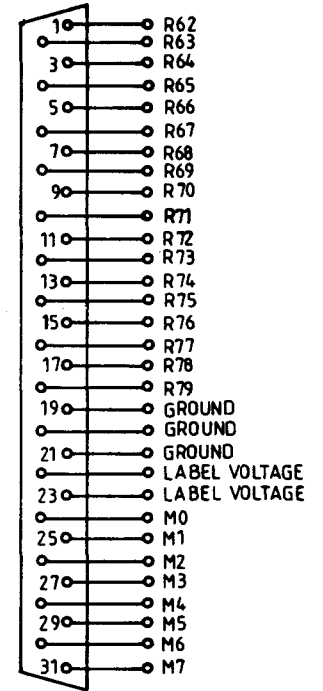
CONNECTOR 4



CONNECTOR 5



CONNECTOR 6



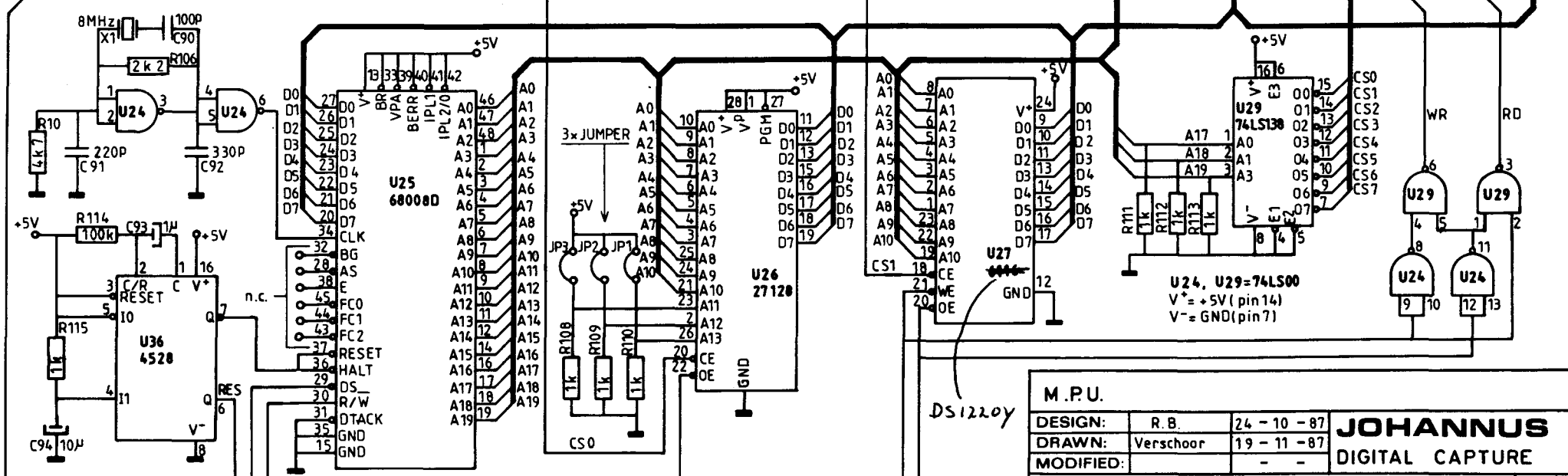
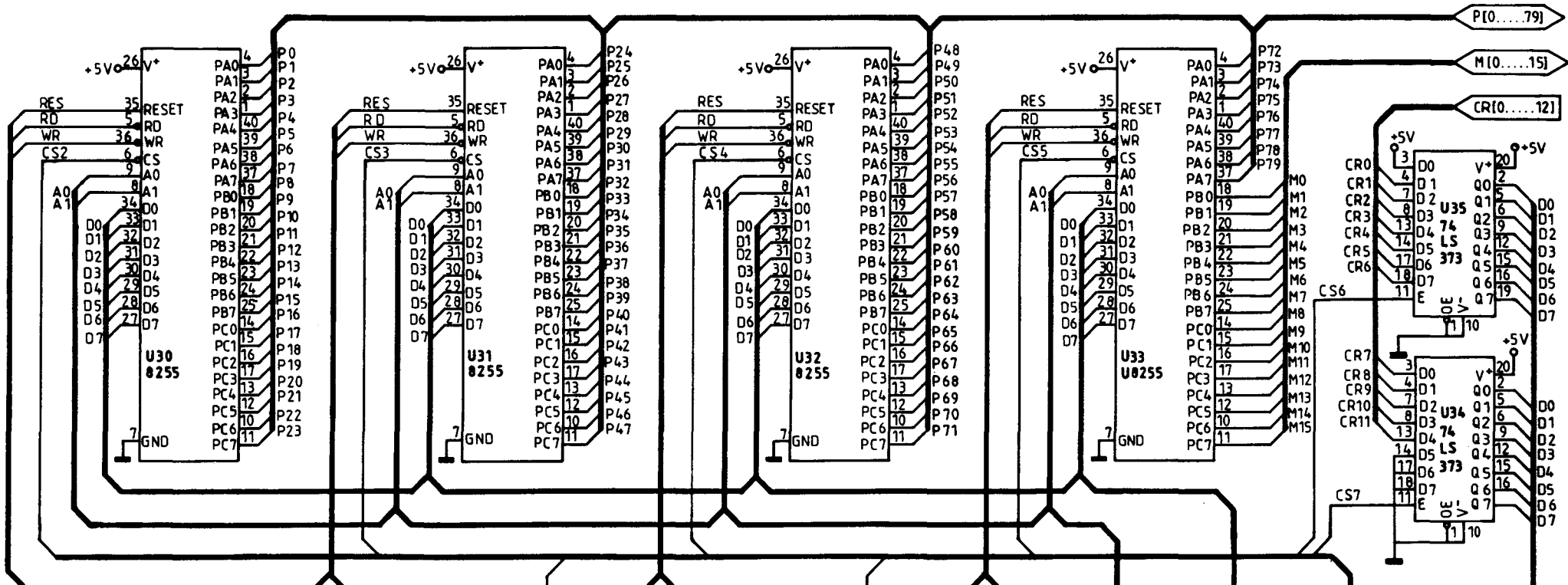
**CONNECTOR PINNING & SWITCHBANK**

DESIGN:	R.B	24-10-87
DRAWN:	Verschoor	20-11-87
MODIFIED:	-	-

**JOHANNUS**  
DIGITAL CAPTURE

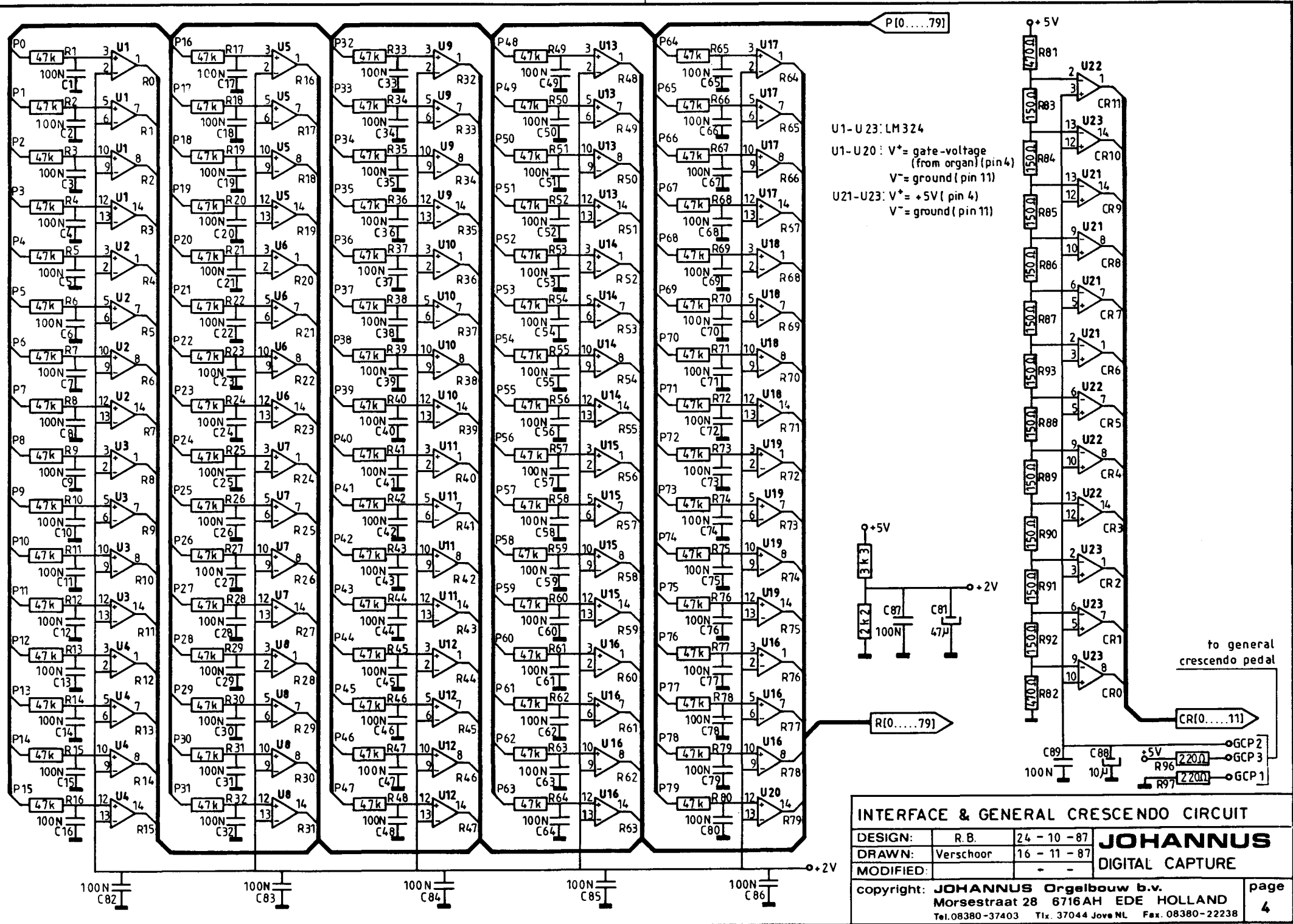
copyright: **JOHANNUS Orgelbouw b.v.**  
Morsestraat 28 6716AH EDE HOLLAND  
Tel. 08380-37403 Tlx. 37044 Jove NL Fax. 08380-22238

page  
2

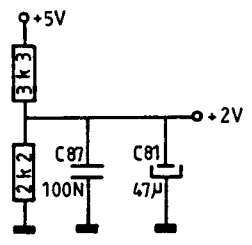


M.P.U.		
DESIGN:	R. B.	24 - 10 - 87
DRAWN:	Verschoor	19 - 11 - 87
MODIFIED:	-	-
copyright: JOHANNUS Orgelbouw b.v.		
Morsestraat 28 6716 AH EDE HOLLAND		
Tel. 08380-37403 Tlx. 37044 Jove NL Fax. 08380-22238		
		page 3

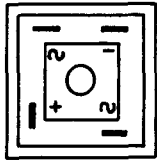
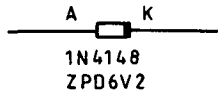
**JOHANNUS**  
DIGITAL CAPTURE



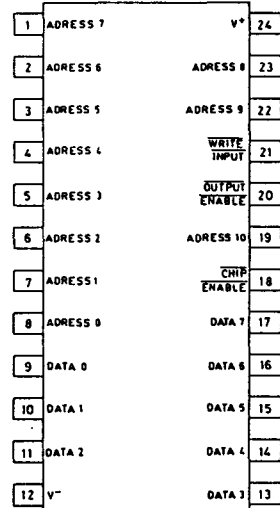
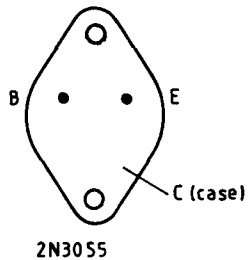
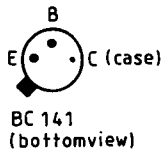
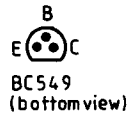
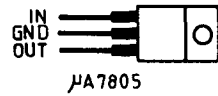
U1 - U23: LM324  
 U1 - U20: V\* = gate-voltage (from organ) (pin 4)  
 V- = ground (pin 11)  
 U21 - U23: V\* = +5V (pin 4)  
 V- = ground (pin 11)



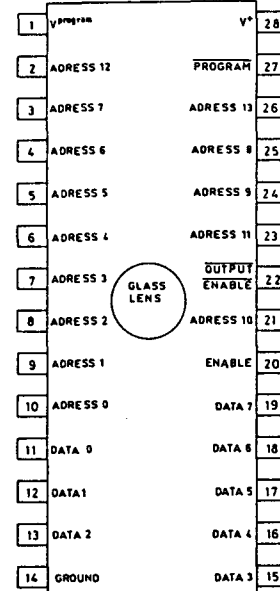
INTERFACE & GENERAL CRESCENDO CIRCUIT			
DESIGN:	R.B.	24 - 10 - 87	<b>JOHANNUS</b> DIGITAL CAPTURE
DRAWN:	Verschoor	16 - 11 - 87	
MODIFIED:			
copyright: JOHANNUS Orgelbouw b.v. Morsestraat 28 6716AH EDE HOLLAND Tel. 08380-37403 Tlx. 37044 Jove NL Fax. 08380-22238			page 4



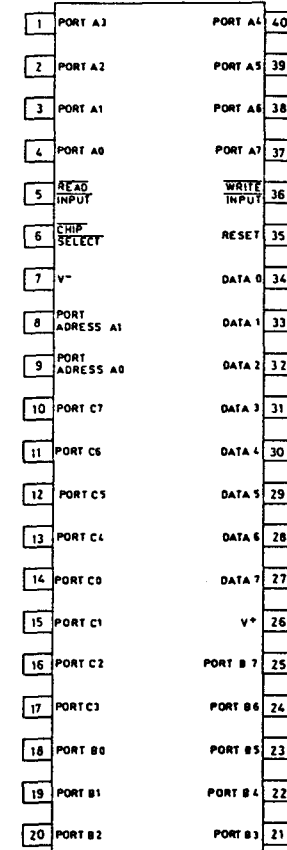
B125/110 - 10



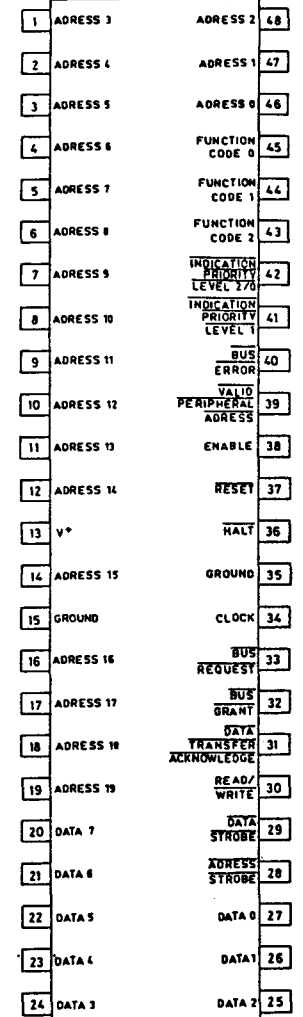
6116: 16k non-volatile random access memory



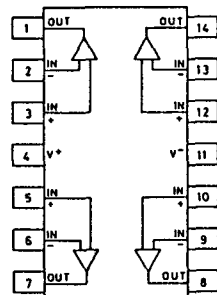
27128: 128k ultraviolet erasable programmable read only memory



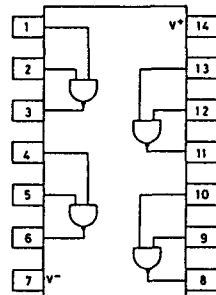
8255: programmable input/output interface



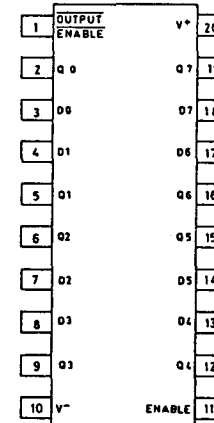
68008: 8-/32-bit micro-processor with 8-bit data bus



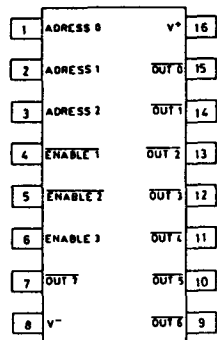
TL074: quad opamp  
LM324: quad opamp



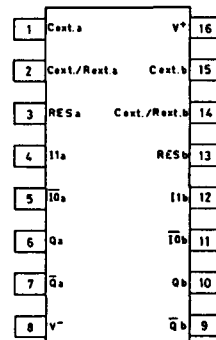
7400: quad nand



74373: octal transparent latch with 3-state outputs



74138: 1-of-8 decoder/demultiplexer



4528: dual monostable multivibrator

GENERAL INFORMATION SEMI-CONDUCTORS

DESIGN:		- -	<b>JOHANNUS</b> DIGITAL CAPTURE
DRAWN:	Verschoor	23 - 11 - 87	
MODIFIED:		- -	